

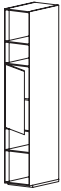



# NEX PUR SHELF TYPES AND ACCESSORY

The Nex Pur shelving unit comes pre-assembled. Compensating for any unevenness in the flooring is uncomplicated thanks to the adjustable legs attached to the bottom panel. The floors of the shelves are fixed for the desired stability and the fronts open at a touch. The door hinges are pre-installed on the left and rotatable, i.e. they can be placed on the right at any time. Opting for the "door at the bottom" type allows for one file height. And the "door at the top" element type allows for two file heights. All shelf floors behind the fronts are adjustable.

		
Open	Door below	Door upside
36	36	36
37.5 / 25 26.8 33.1	37.5 / 25 26.8 33.1 / Door 30.5	37.5 / 25 26.8 33.1 / Door 30.5
-	incl. shelf	incl. shelf
1586193	1586199	1586196


Shelf door
36
MDF lacquered / white
1586257

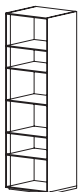

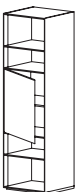
**W 30** H 211.5



Depth



IH  
IW  
ID

Additional information

Article number

		
Open	Door below	Door upside
36	36	36
37.5 / 25 46.8 33.1	37.5 / 25 46.8 33.1 / Door 30.5	37.5 / 25 46.8 33.1 / Door 30.5
-	incl. shelf	incl. shelf
1586194	1586200	1586197

	
Cabinet left	Cabinet right
36	36
2 x 101.3 46.2 30.7	2 x 101.3 46.2 30.7
5 shelves, 4 adjustable	5 shelves, 4 adjustable
1786576	1786577

	
Shelf door	Shelf cabinet
36	36
MDF lacquered / white	MDF lacquered / white
1586258	1586372



**W 50** H 211.5

Depth

IH  
IW  
ID

Additional information

Article number

	
Open	Drawer
36	36
37.5 / 25 28 + 38 33.1	37.5 / 25 28 + 38 / SK 62.7 33.1 / SK 27.4
-	-
1586195	1586204

**W 70** H 211.5

Depth

IH  
IW  
ID

Additional information

Article number